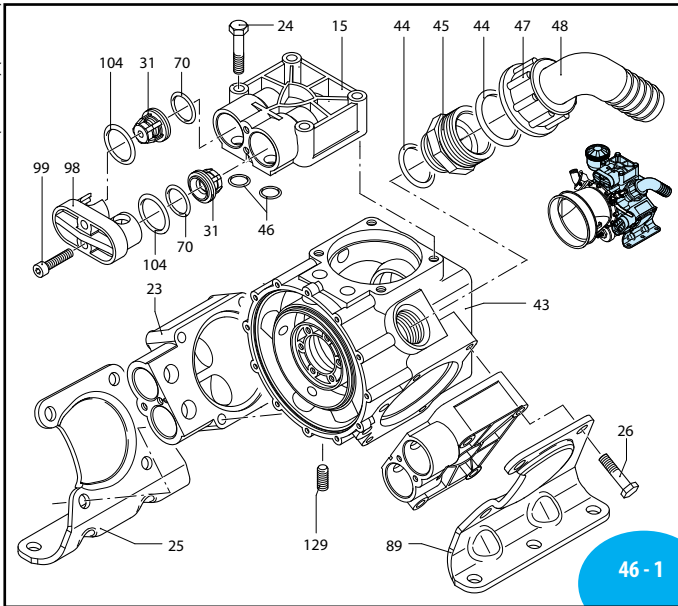


# ANNOVI REVERBERI

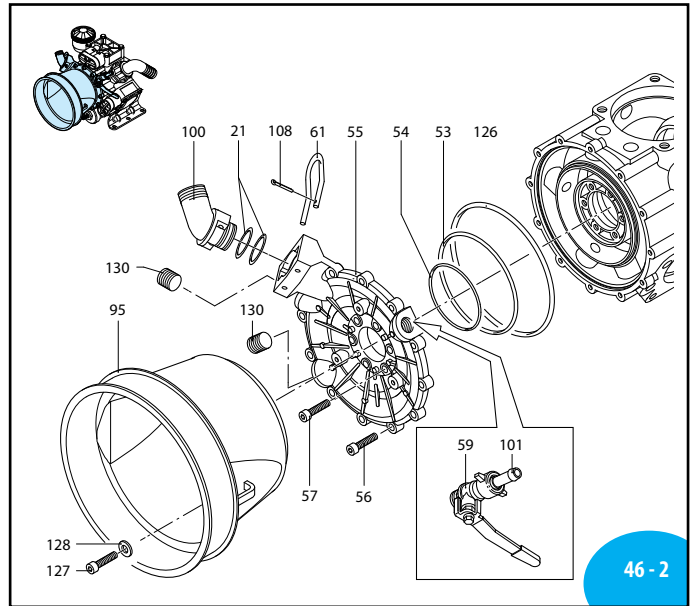
## AR 713

(1808614) (1808616)



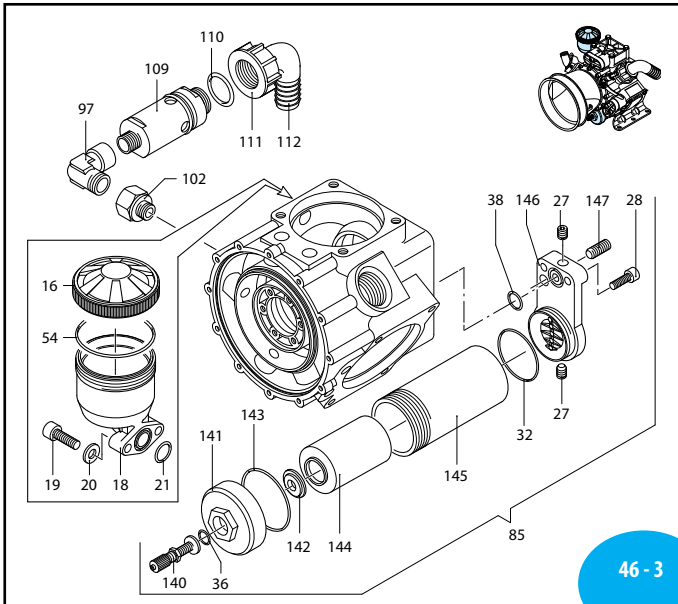
46 - 1

UN000105-BD



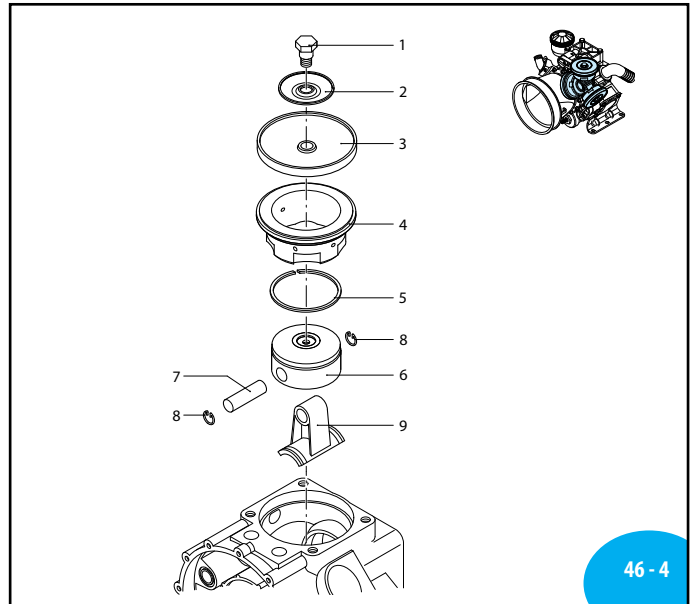
46 - 2

UN000106-BD



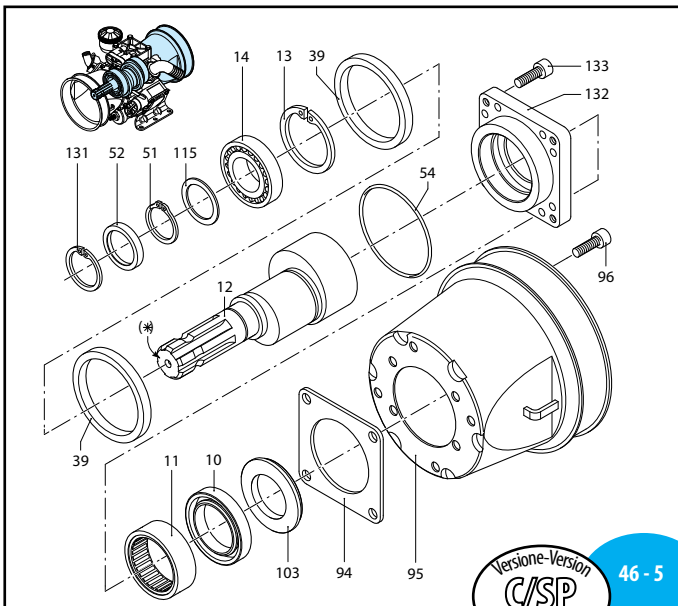
46 - 3

UN000107-BD



46 - 4

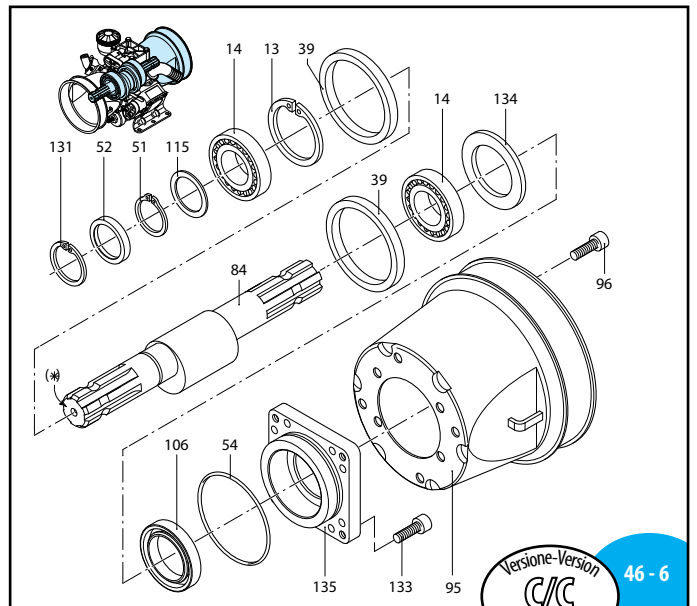
UN000108-BD



Versione-Version  
C/S/P

46 - 5

UN000241-BD



Versione-Version  
C/C

46 - 6

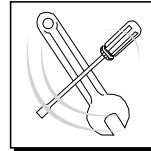
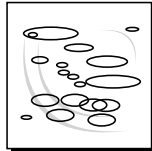
UN000240-BD

# AR 713

Pos.	Cod.	Descrizione	Description	Q.ty	Note
1	580361	Perno membrana	Diaphragm pin	3	● C <sub>30</sub>
2	1040180	Piastra di richiamo	Plate	3	
	1040080	Membrana	Diaphragm	3	Desmopan
	1040081	Membrana	Diaphragm	3	Gomma
	1040086	Membrana	Diaphragm	3	H.P.D.S.
4	1040110	Camicia	Sleeve	3	
5	650190	Segmento	Piston ring	3	
6	1040120	Pistone	Piston	3	
7	1040070	Spinotto	Piston pin	3	
8	1040270	Anellino spinotto	Pin ring	6	
9	1800360	Biella	Connecting rod	3	
10	1400150	Anello tenuta	Seal ring	1	
11	650200	Cuscinetto a rullini	Roller bearing	1	
12	1800370	Albero eccentrico "C/SP"	"C/SP" shaft	1	(AB)
13	161050	Anello seeger	Circlip	1	
14	161060	Cuscinetto	Bearing	2	
15	1040551	Testa DX	Right head	2	
16	750051	Tappo serbatoio verde	Green oil tank cap	1	
18	680031	Serbatoio olio	Oil tank	1	
19	680350	Vite TCEI M 8x35	Bolt	2	C <sub>10</sub>
20	380241	Rosetta øi 8,5	Washer	2	
21	390180	OR ø 18,72x2,62	O-Ring	3	▶
23	1040552	Testa SX	Left head	1	
24	1480040	Vite TE M 12x60	Bolt	4	C <sub>50</sub>
25	1800440	Piede SX	Left base	1	Vedi / See ●
26	750060	Vite TE M 12x65	Bolt	8	● C <sub>50</sub>
27	1040470	Grano M 10x8	Dowel	2	C <sub>10</sub>
28	320360	Vite TCEI M 8x22	Bolt	2	C <sub>20</sub>
31	1409050	Valvola completa	Complete valve	6	
32	540360	OR ø 44,12x2,62	O-Ring	1	▶
36	650542	Guarnizione	Gasket	1	▶
38	640070	OR ø 13,95x2,62	O-Ring	1	▶
39	1040340	Anello biella	Con rod ring	2	
43	1800140	Corpo pompa	Pump body	1	
44	250310	OR ø 36,14x2,62	O-Ring	2	▶
45	540530	Niples 1"1/4-1"3/4 G (M)	Threaded adapter	1	
46	770571	OR ø 18,77x1,78	O-Ring	6	Viton ▶
47	540540	Girello 1"3/4 G	Ring nut	1	
48	540550	Curva ø 40	Elbow	1	
51	1040570	Anello seeger	Circlip	1	
52	1040050	Anello tenuta	Seal ring	1	
53	1800161	OR ø 113,97x2,62	O-Ring	1	Viton ▶
54	1040060	OR ø 72,69x2,62	O-Ring	3	▶
55	1800150	Condotto mandata	Manifold	1	
56	1040370	Vite TCEI M 6x22	Bolt	12	C <sub>10</sub>
57	780060	Vite TCEI M 6x25	Bolt	6	C <sub>10</sub>
59	130491	Rub. 3/8"-1/2" G (M) DX	Right valve	1	ex 30491
61	1040690	Forcella	Fork	1	

Pos.	Cod.	Descrizione	Description	Q.ty	Note
70	620030	OR ø 25,80x3,53	O-Ring	6	▶
84	1800380	Albero eccentrico "C/C"	"C/C" shaft	1	(AC)
85	1536	Camera aria completa	Complete air chamber	1	
89	1800430	Piede DX	Right base	1	Vedi / See ●
94	1400140	Flangia anello tenuta	Flange	1	
	1500350	Protezione cardano	Cardan protection	2	ø 199 mm
	1500470	Protezione cardano	Cardan protection	2	ø 239 mm
96	820670	Vite TCEI M 10x16	Bolt	4	C <sub>10</sub>
97	881560	Gomito 90° 1/2" G (M)-(F)	Elbow	1	■
98	1300190	Tappo valvola	Valve cap	3	
99	620610	Vite TCEI M 8x30	Bolt	6	C <sub>50</sub>
100	1040760	Attacco 3/4" G	Coupling	1	
101	110131	Racc. 1/2" G+ tub. ø10	Fitting 1/2" G+hose ø10	1	ex 10131
102	881461	Manic. 3/8"-1/2" G (M)-(F)	Threaded adapter	1	■
103	1400110	Centraggio flangia "C/SP"	"C/SP" flange spigot	1	
104	540361	OR ø 33,05x1,78	O-Ring	6	▶
106	160740	Anello tenuta	Seal ring	1	
108	1040950	Copiglia	Split pin	1	
109	1609001	Valvola di sicurezza	Safety valve	1	■
110	880831	OR ø 15,54x2,62	O-Ring	1	Viton ▶
111	550450	Girello 3/4" G	Ring nut	1	
112	550460	Curva ø 18	Elbow	1	
115	1040850	Anello	Ring	1	
126	1400120	OR ø 145,72x2,62	O-Ring	1	▶
127	1343510	Vite TCEI M 6x14	Bolt	3	C <sub>10</sub>
128	881710	Rosetta øi 6	Washer	3	
129	1040260	Grano M 10x25	Dowel	1	● C <sub>10</sub>
130	1800240	Grano 3/8" G	Dowel	2	● C <sub>10</sub>
131	1460490	Anello seeger	Circlip	1	
132	1800210	Flangia albero "C/SP"	Flange "C/SP" version	1	
133	180030	Vite TCEI M 8x20	Bolt	8	● C <sub>10</sub>
134	1800230	Distanziale	Spacer	1	
135	1800220	Flangia albero "C/C"	Flange "C/C" version	1	
140	1800350	Valvola di gonfiaggio	Air valve	1	
141	1800270	Coperchio camera aria	Air chamber cover	1	
142	1800311	Disco	Plate	1	
143	650560	OR ø 56,82x2,62	O-Ring	1	▶
144	1800300	Semicamera aria	Semi air chamber	1	
145	1800280	Tubo camera aria	Air chamber tube	1	
146	1800290	Attacco camera aria	Air chamber connector	1	
147	1040260	Grano M 10x25	Dowel	1	C <sub>10</sub>

● Da matricola N° 020202 - From serial number N° 020202



KIT 1952 Membrane gomma Buna diaphragms	
Pos.	Q.ty
3	3

KIT 1963 Valvole Valves	
Pos.	Q.ty
31	6
70	6

KIT 2429 OR O-Rings			
Pos.	Q.ty	Pos.	Q.ty
21	3	126	1
32	1	143	1
38	1		
44	2		
46	6		
53	1		
54	3		
70	6		
104	6		
110	1		

KIT 2430 Pronto intervento Maintenance repair					
Pos.	Q.ty	Pos.	Q.ty	Pos.	Q.ty
1	3	44	2	106	1
3	3	46	6	108	1
10	1	47	1	126	1
16	1	48	1	144	1
18	1	52	1		
21	3	53	1		
31	6	54	3		
32	1	61	1		
36	1	70	6		
38	1	104	6		

Olio utilizzato Used oil	
Tipo - Type	Kg
SAE 30	0,5